

CPAZ3021-D10 Chef Pro Sink



Model: CPAZ3021-D10

Dimensions

- Interior: 27" x 16" x 10"
- Overall: 30" x 21" x 10"

Color/Finish

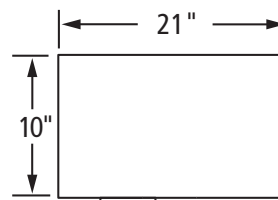
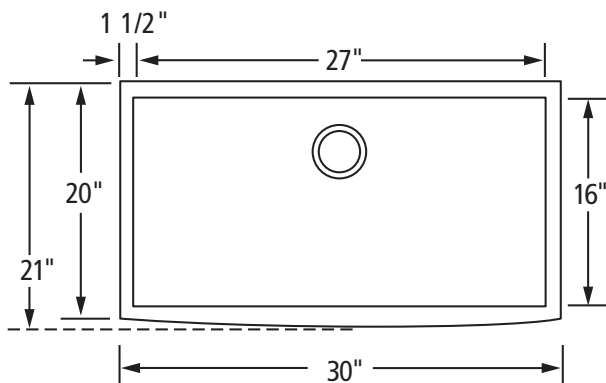
- Stainless Steel

Features

- Handmade
- 10" deep single bowl
- 16 gauge 304 stainless steel finish
- 18/10 Nickel/Chrome content
- Apron front design w/zero radius corners
- Long lasting tight brush finish
- Tapered front arched apron design
- Stain and corrosion resistant
- V-Therm Shield™ undersurface
- Undermount

Optional Accessories

- Sink Strainer



Side View

Chef Pro Sink Product Specifications:

Apron sink shall include all features noted on this sheet. Sink shall be single bowl in 16 gauge 304 commercial grade stainless steel.

Sink Strainer: _____